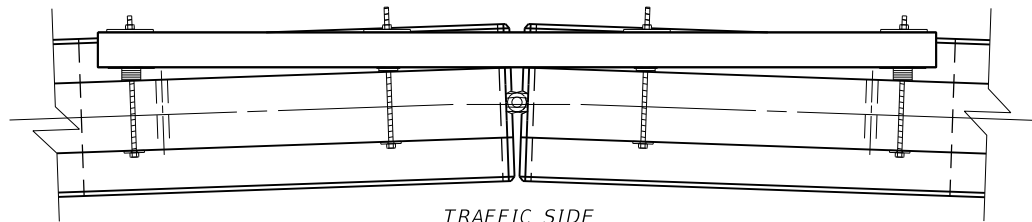
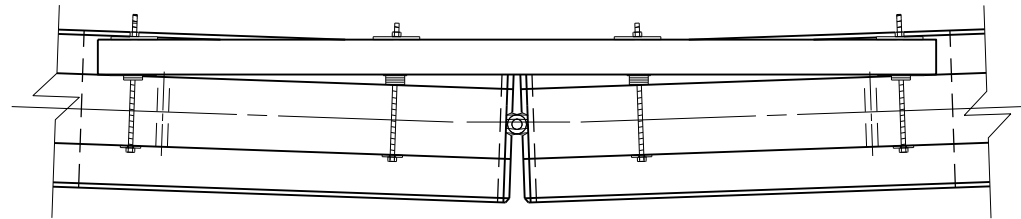


ELEVATION VIEW



TRAFFIC SIDE

PLAN VIEW

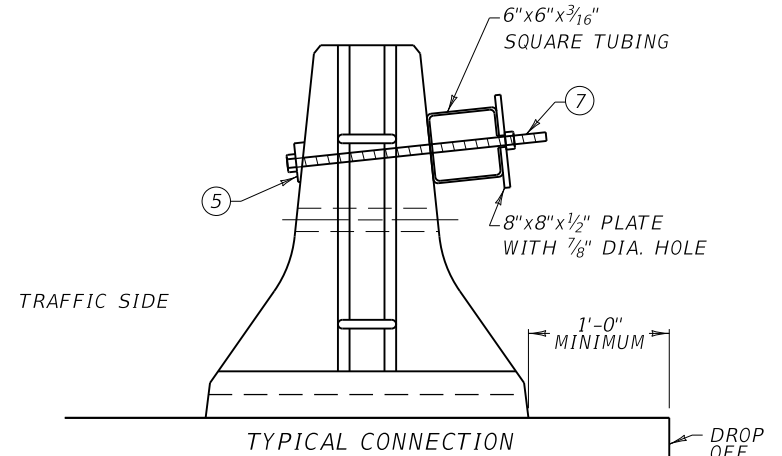


TRAFFIC SIDE

PLAN VIEW

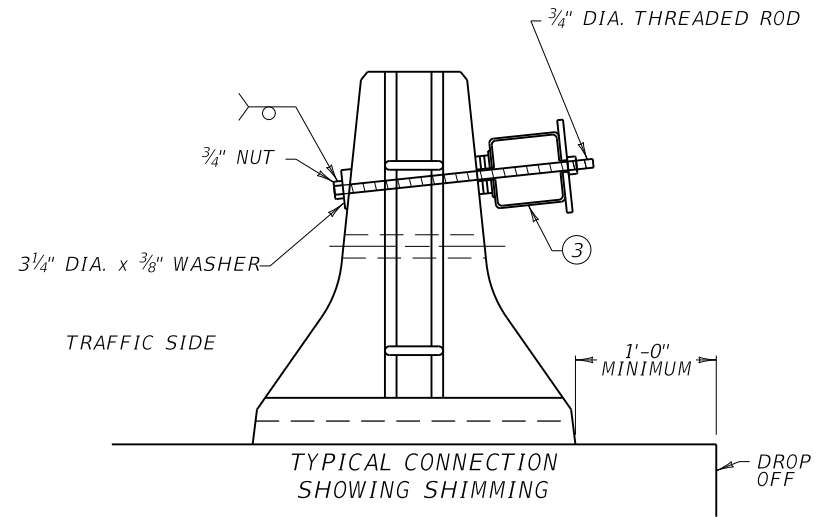
~ NOTES ~

1. STIFFENED BARRIER WALL IS REQUIRED IN WORK ZONES WHEN THE EDGE OF THE WALL FURTHEST FROM TRAFFIC IS LOCATED WITHIN 3'-0" OF THE BRIDGE DECK EDGE PARALLEL TO THE DIRECTION OF TRAFFIC. MAY ALSO BE USED IN OTHER TEMPORARY SITUATIONS WHERE SUBSTANTIAL DROP OFFS EXIST. MAINTAIN 1'-0" MINIMUM FROM EDGE OF BARRIER TO DROP OFF.
2. STIFFENER SHALL BE INSTALLED WHEN BARRIER IS SET AND BEFORE EXPOSED TO TRAFFIC.
- ③ SQUARE TUBING SHALL BE 50 GRADE STRUCTURAL STEEL.
4. WHEN BARRIER WALL SECTIONS ARE PLACED ON A RADIUS, THE AREA BETWEEN THE SQUARE TUBING AND BARRIER WALL SHALL BE SHIMMED AS SHOWN ABOVE. SHIM SHALL CONSIST OF ONE SQUARE PLATE (4" NEAR END OF BARRIER WALL SECTION, 8" NEAR END OF TUBING SECTIONS)  $\frac{3}{16}$ " THICK WITH AS MANY  $\frac{3}{4}$ " DIA. x  $\frac{3}{8}$ " THICK WASHERS AS NEEDED.
- ⑤ BEVEL WASHER TO BE PARALLEL WITH PLANE OF BARRIER AND BOLT HEAD. (TYP.)
6. ALL MATERIALS, LABOR INVOLVED WITH THIS PROCESS TO BE INCIDENTAL TO LINEAR FEET OF WALL.
- ⑦ ROD PERPENDICULAR TO BARRIER WALL SURFACE. (TYP.)



TRAFFIC SIDE

TYPICAL CONNECTION



TRAFFIC SIDE

TYPICAL CONNECTION  
SHOWING SHIMMING

USE WITH CUR. STD. DWG.  
RBM-115

KENTUCKY  
DEPARTMENT OF HIGHWAYS

BOX BEAM STIFFENING  
PF TEMPORARY  
CONCRETE BARRIER

STANDARD DRAWING NO. RBM-120-02  
SUBMITTED *[Signature]* 02-26-20 DATE  
APPROVED *[Signature]* 02-26-20 DATE  
STATE ENGINEER